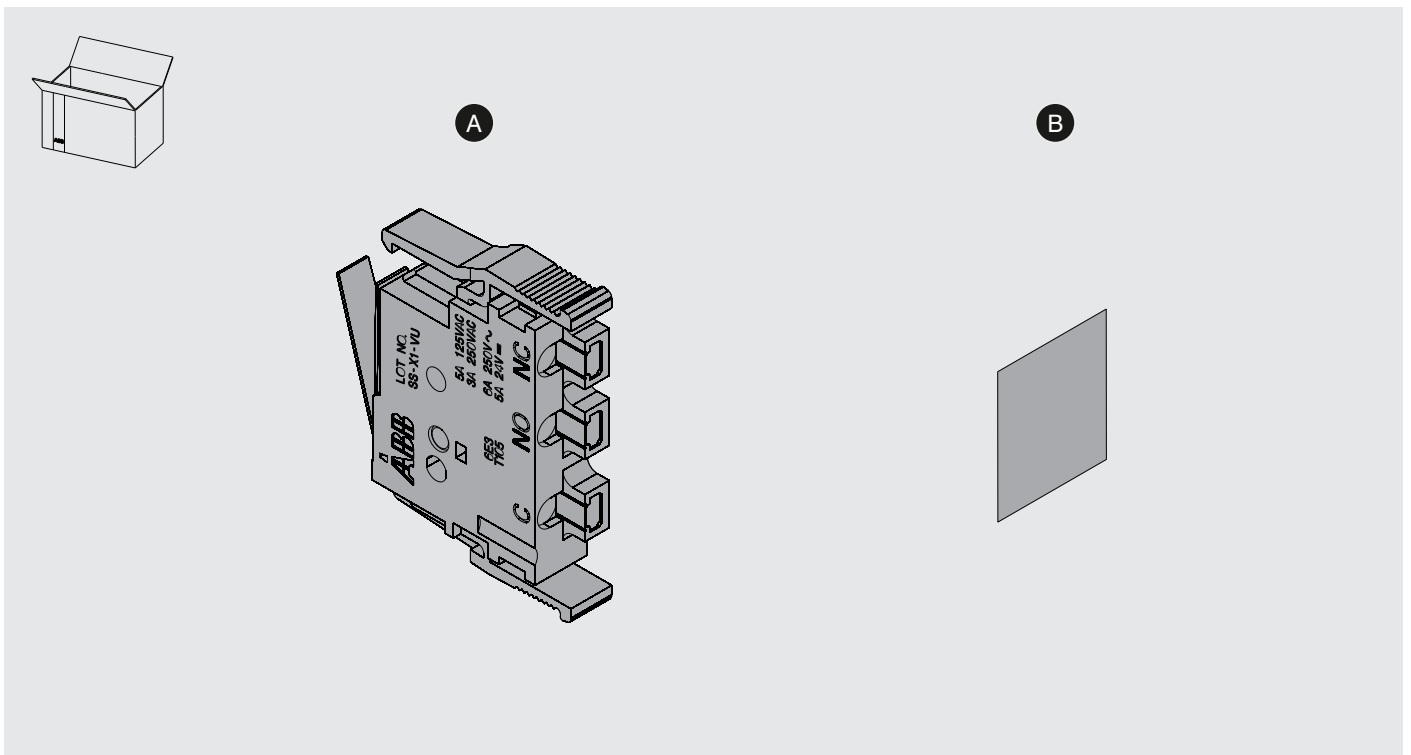
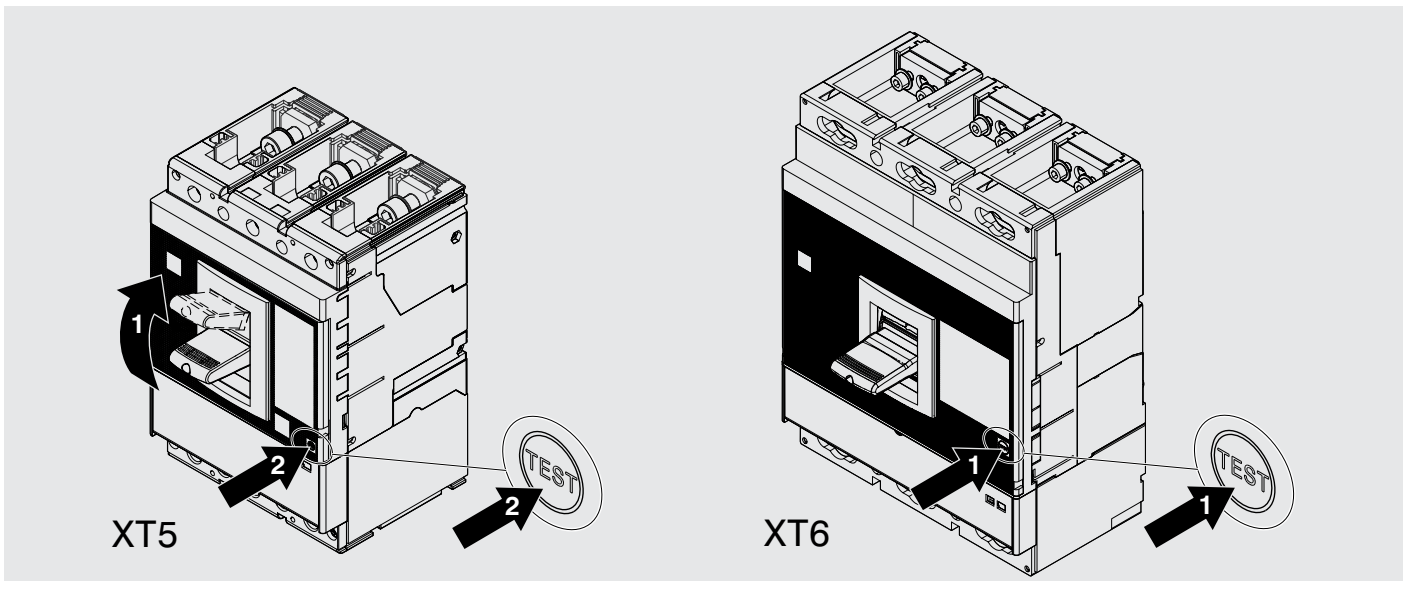


SACE Tmax XT

AUX - Contatti ausiliari non cablati XT5-XT6 fisso
AUX - Not wired auxiliary contacts XT5-XT6 fixed
AUX - Hilfsschalter verdrahtet XT5-XT6 fest
AUX - Contacts auxiliaires non cablés XT5-XT6 fixe
AUX - Contactos auxiliares non cableados XT5-XT6 fijo
AUX - 不带导线辅助触点 XT5-XT6 固定式

XT5 - XT6

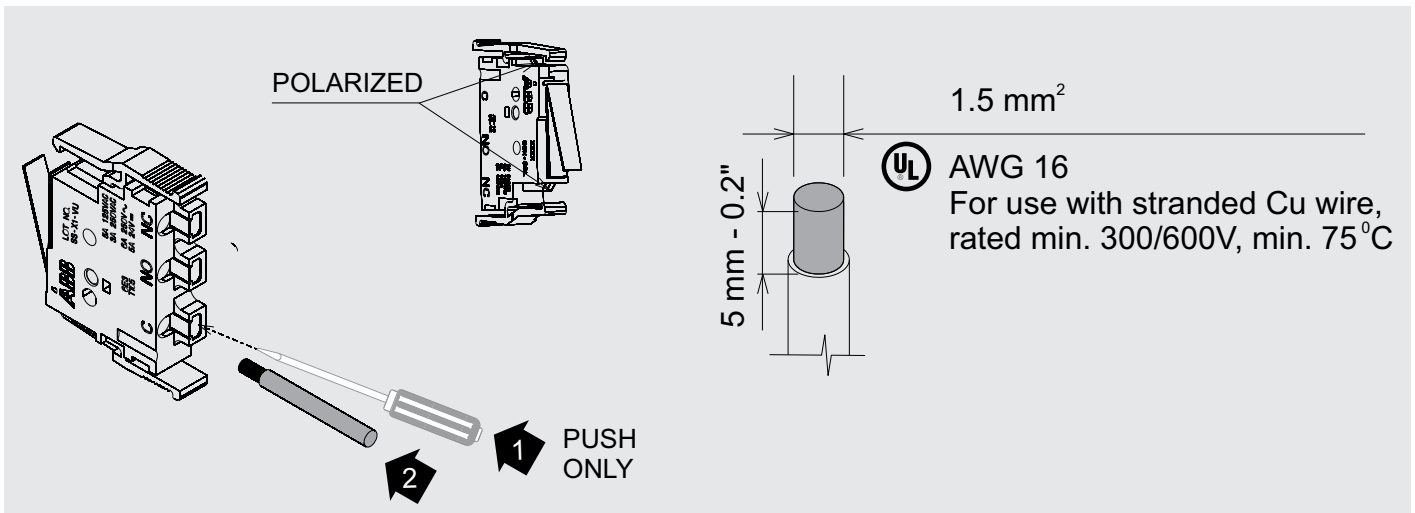


250 V								24 V																																																														
IEC60947-5-1								IEC60947-5-1																																																														
<table border="1" style="width: 100%; border-collapse: collapse;"> <thead> <tr> <th colspan="8" style="text-align: center;">AUX 250V</th> </tr> <tr> <th rowspan="2" style="text-align: center;">IEC</th> <th rowspan="2" style="text-align: center;">Voltage</th> <th colspan="6" style="text-align: center;">Category / Operating current</th> </tr> <tr> <th style="text-align: center;">AC-15</th> <th style="text-align: center;">AC-14</th> <th style="text-align: center;">AC-13</th> <th style="text-align: center;">DC-14</th> <th style="text-align: center;">DC-13</th> <th style="text-align: center;">DC-12</th> </tr> </thead> <tbody> <tr> <td style="text-align: center;">250Vac</td> <td style="text-align: center;">4A</td> <td style="text-align: center;">5A</td> <td style="text-align: center;">6A</td> <td style="text-align: center;">-</td> <td style="text-align: center;">-</td> <td style="text-align: center;">-</td> <td style="text-align: center;">-</td> </tr> <tr> <td style="text-align: center;">125Vac</td> <td style="text-align: center;">5A</td> <td style="text-align: center;">6A</td> <td style="text-align: center;">6A</td> <td style="text-align: center;">-</td> <td style="text-align: center;">-</td> <td style="text-align: center;">-</td> <td style="text-align: center;">-</td> </tr> <tr> <td style="text-align: center;">250Vdc</td> <td style="text-align: center;">-</td> <td style="text-align: center;">-</td> <td style="text-align: center;">-</td> <td style="text-align: center;">0.03A</td> <td style="text-align: center;">0.03A</td> <td style="text-align: center;">0.3A</td> <td style="text-align: center;">-</td> </tr> <tr> <td style="text-align: center;">110Vdc</td> <td style="text-align: center;">-</td> <td style="text-align: center;">-</td> <td style="text-align: center;">-</td> <td style="text-align: center;">0.05A</td> <td style="text-align: center;">0.05A</td> <td style="text-align: center;">0.5A</td> <td style="text-align: center;">-</td> </tr> </tbody> </table>								AUX 250V								IEC	Voltage	Category / Operating current						AC-15	AC-14	AC-13	DC-14	DC-13	DC-12	250Vac	4A	5A	6A	-	-	-	-	125Vac	5A	6A	6A	-	-	-	-	250Vdc	-	-	-	0.03A	0.03A	0.3A	-	110Vdc	-	-	-	0.05A	0.05A	0.5A	-	<table border="1" style="width: 100%; border-collapse: collapse;"> <thead> <tr> <th style="text-align: center;">IEC</th> <th style="text-align: center;">Voltage</th> <th style="text-align: center;">max Current</th> </tr> </thead> <tbody> <tr> <td style="text-align: center;">-</td> <td style="text-align: center;">30Vdc</td> <td style="text-align: center;">0.1A</td> </tr> </tbody> </table>			IEC	Voltage	max Current	-	30Vdc	0.1A
AUX 250V																																																																						
IEC	Voltage	Category / Operating current																																																																				
		AC-15	AC-14	AC-13	DC-14	DC-13	DC-12																																																															
250Vac	4A	5A	6A	-	-	-	-																																																															
125Vac	5A	6A	6A	-	-	-	-																																																															
250Vdc	-	-	-	0.03A	0.03A	0.3A	-																																																															
110Vdc	-	-	-	0.05A	0.05A	0.5A	-																																																															
IEC	Voltage	max Current																																																																				
-	30Vdc	0.1A																																																																				
<table border="1" style="width: 100%; border-collapse: collapse;"> <thead> <tr> <th style="text-align: center;">IEC</th> <th style="text-align: center;">Voltage</th> <th style="text-align: center;">min Current</th> </tr> </thead> <tbody> <tr> <td style="text-align: center;">-</td> <td style="text-align: center;">24Vdc</td> <td style="text-align: center;">1mA @ 5Vdc</td> </tr> </tbody> </table>								IEC	Voltage	min Current	-	24Vdc	1mA @ 5Vdc	<table border="1" style="width: 100%; border-collapse: collapse;"> <thead> <tr> <th style="text-align: center;">UL</th> <th style="text-align: center;">Voltage</th> <th style="text-align: center;">max Current</th> </tr> </thead> <tbody> <tr> <td style="text-align: center;">-</td> <td style="text-align: center;">30Vdc</td> <td style="text-align: center;">0.1A</td> </tr> </tbody> </table>			UL	Voltage	max Current	-	30Vdc	0.1A																																																
IEC	Voltage	min Current																																																																				
-	24Vdc	1mA @ 5Vdc																																																																				
UL	Voltage	max Current																																																																				
-	30Vdc	0.1A																																																																				
<table border="1" style="width: 100%; border-collapse: collapse;"> <thead> <tr> <th style="text-align: center;">UL</th> <th style="text-align: center;">Voltage</th> <th style="text-align: center;">max Current</th> </tr> </thead> <tbody> <tr> <td style="text-align: center;">-</td> <td style="text-align: center;">250Vac</td> <td style="text-align: center;">3A</td> </tr> <tr> <td style="text-align: center;">-</td> <td style="text-align: center;">125Vac</td> <td style="text-align: center;">5A</td> </tr> <tr> <td style="text-align: center;">-</td> <td style="text-align: center;">250Vdc</td> <td style="text-align: center;">0.2A</td> </tr> <tr> <td style="text-align: center;">-</td> <td style="text-align: center;">125Vdc</td> <td style="text-align: center;">0.4A</td> </tr> </tbody> </table>								UL	Voltage	max Current	-	250Vac	3A	-	125Vac	5A	-	250Vdc	0.2A	-	125Vdc	0.4A	<table border="1" style="width: 100%; border-collapse: collapse;"> <thead> <tr> <th style="text-align: center;">UL</th> <th style="text-align: center;">Voltage</th> <th style="text-align: center;">min Current</th> </tr> </thead> <tbody> <tr> <td style="text-align: center;">-</td> <td style="text-align: center;">24Vdc</td> <td style="text-align: center;">1mA @ 5Vdc</td> </tr> </tbody> </table>			UL	Voltage	min Current	-	24Vdc	1mA @ 5Vdc																																							
UL	Voltage	max Current																																																																				
-	250Vac	3A																																																																				
-	125Vac	5A																																																																				
-	250Vdc	0.2A																																																																				
-	125Vdc	0.4A																																																																				
UL	Voltage	min Current																																																																				
-	24Vdc	1mA @ 5Vdc																																																																				
<div style="display: flex; justify-content: space-between;"> <div style="text-align: center;"> Uimp = 1.5kV Ui = 300V </div> <div style="text-align: center;"> Uimp = 1.5kV Ui = 300V </div> </div>																																																																						

	SY/1	Q/1	Q/2	Q/3	S51
CAVI					
CABLES					
KABEL					
CÂBLES	95-96-98	11-12-14	21-22-24	31-32-34	05-06-08
CABLES					
导线					

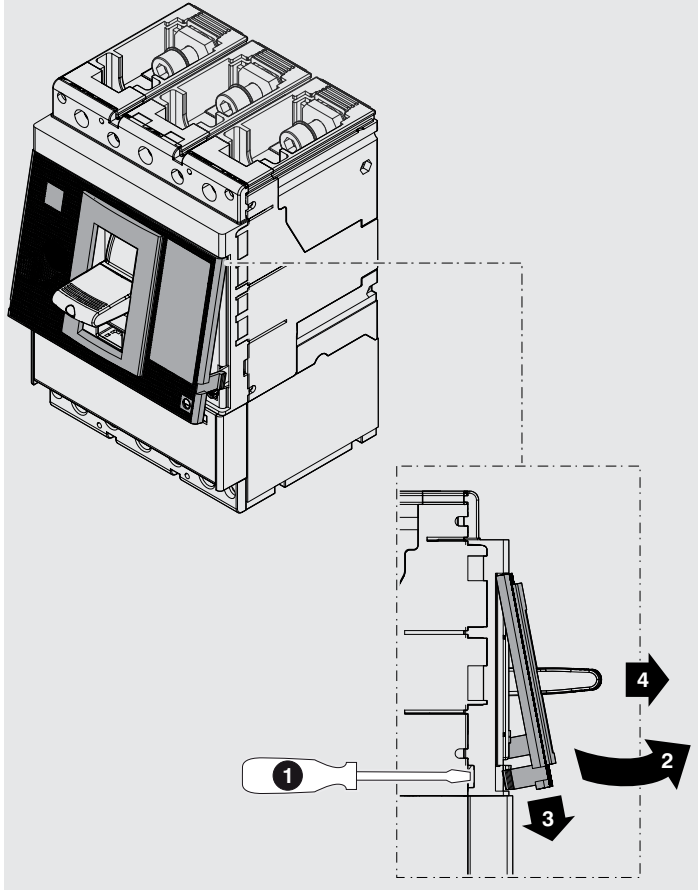
	XT5		XT6
	Thermal-magnetic and Ekip Dip trip unit	Ekip Touch and Hi-Touch trip unit	
1Q+1SY	OK	OK	OK
2Q+1SY	OK	OK	OK
3Q+1SY	OK	OK	OK
1S51	OK	OK	OK

1Q+1SY	SY/1+Q/2
2Q+1SY	SY/1+Q/1+Q/2
3Q+1SY	SY/1+Q/1+Q/2+Q/3
1S51	S51



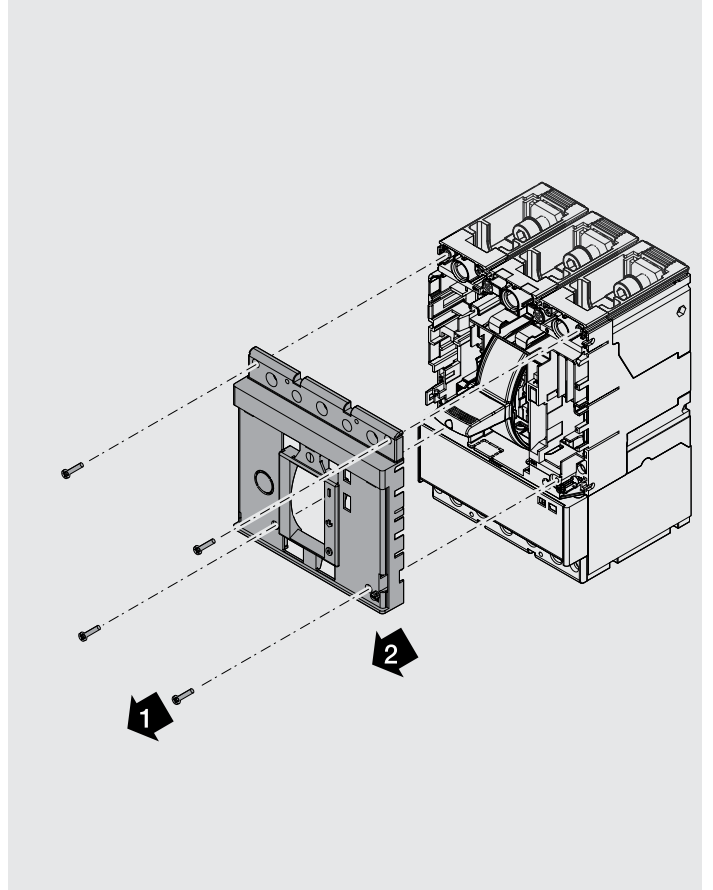
4

XT5



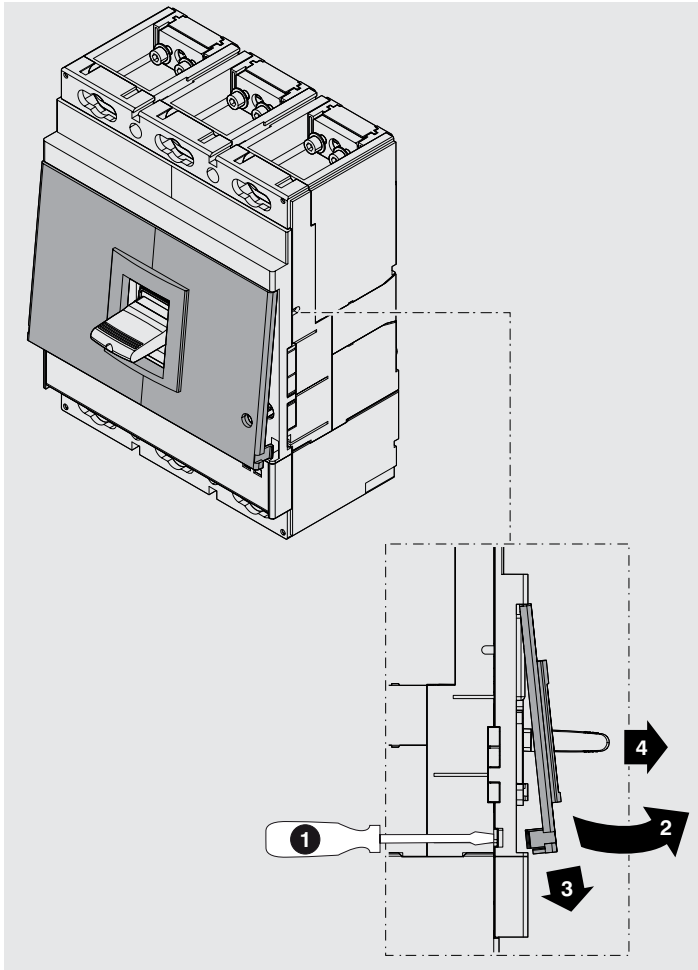
5

XT5



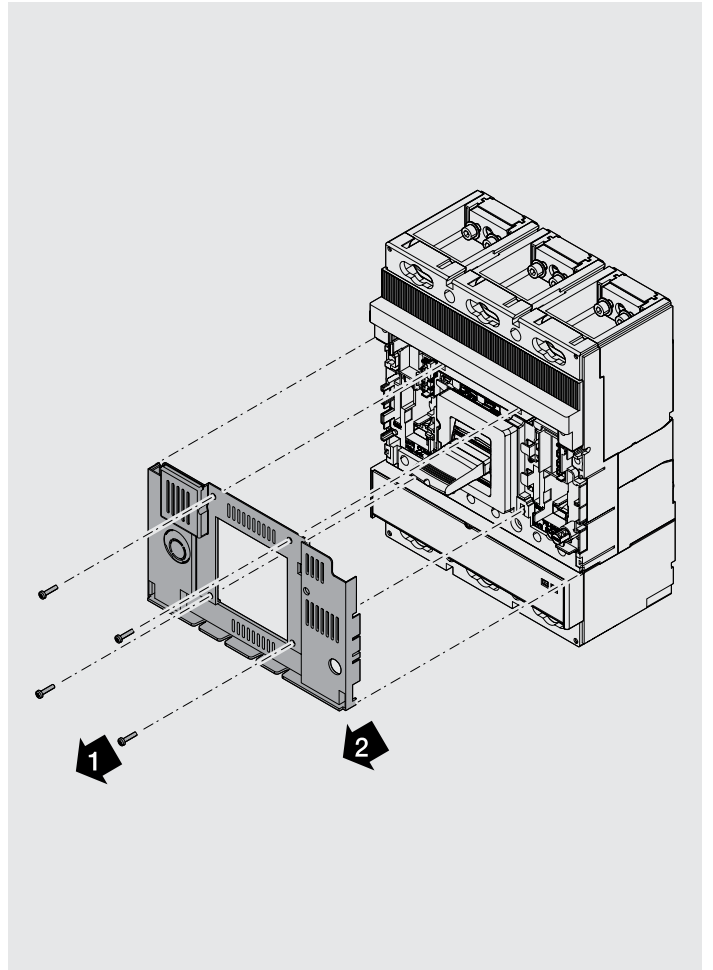
6

XT6



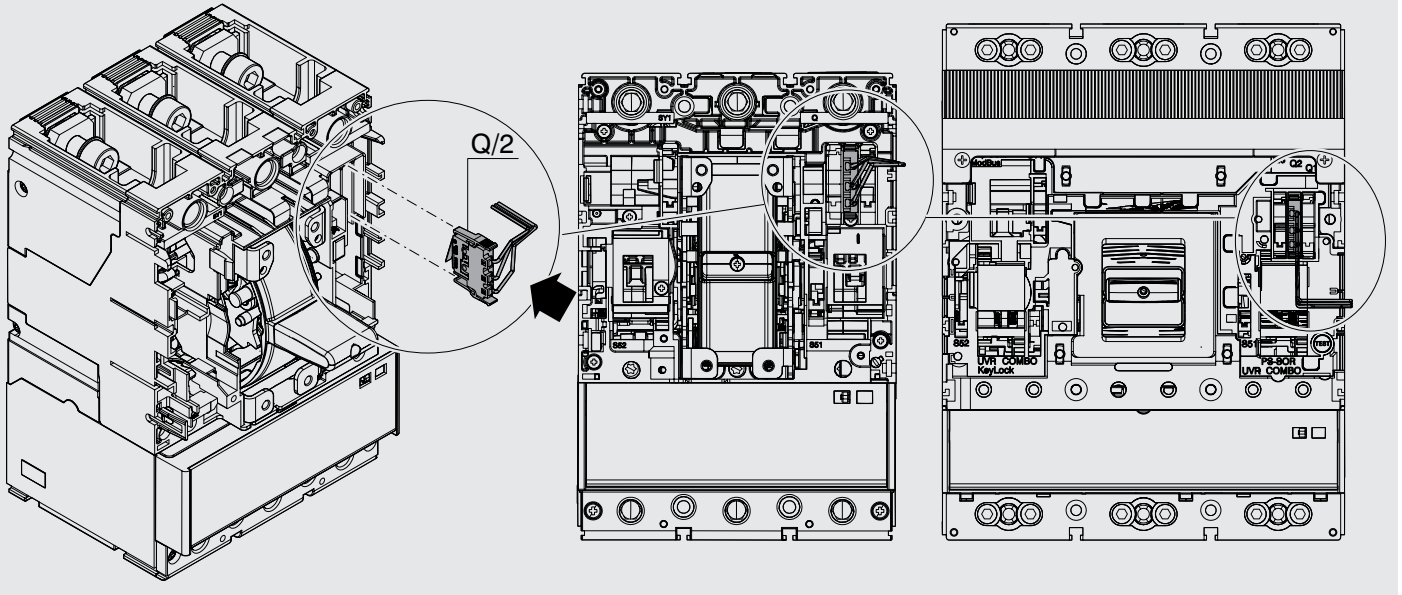
7

XT6



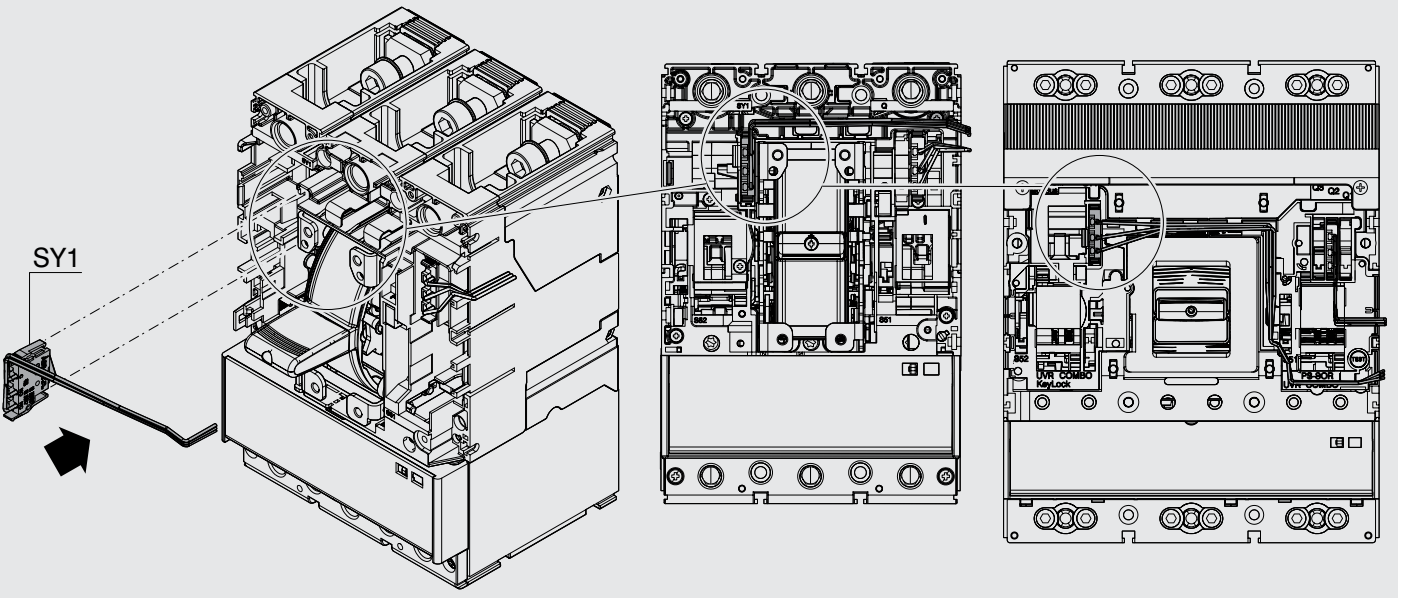
8

Example with Q/2 on XT5-XT6 (3p-4p)



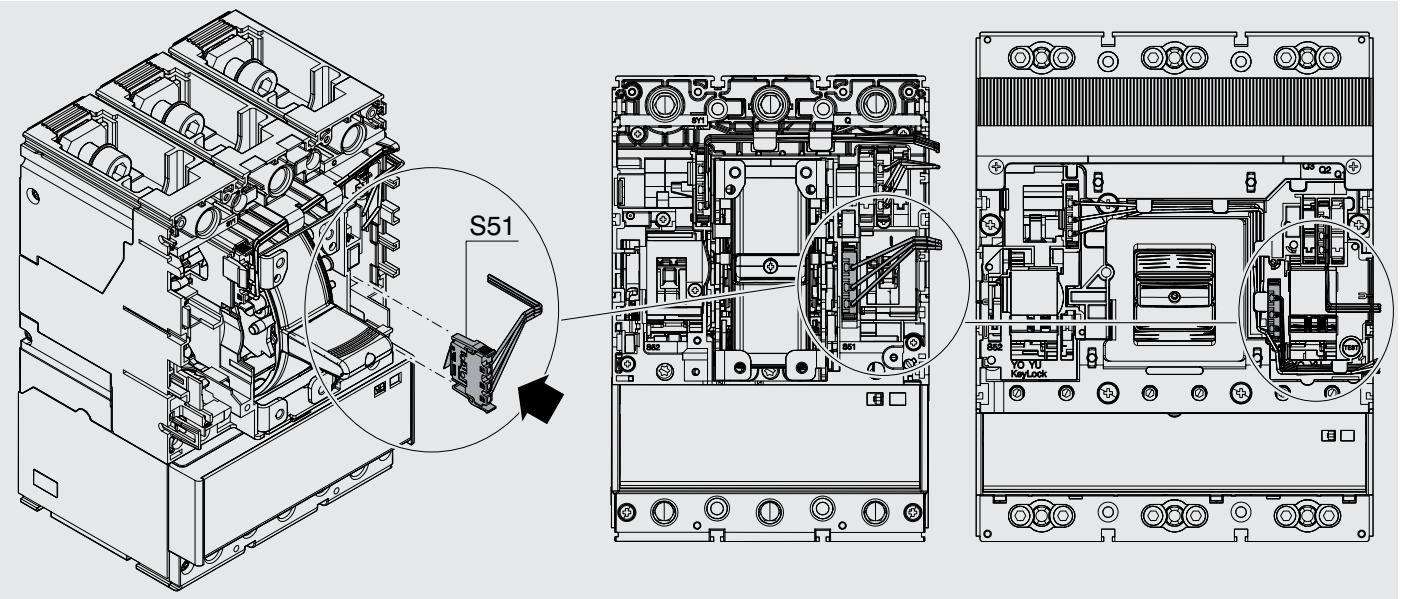
9

Example with SY/1 on XT5-XT6 (3p-4p)



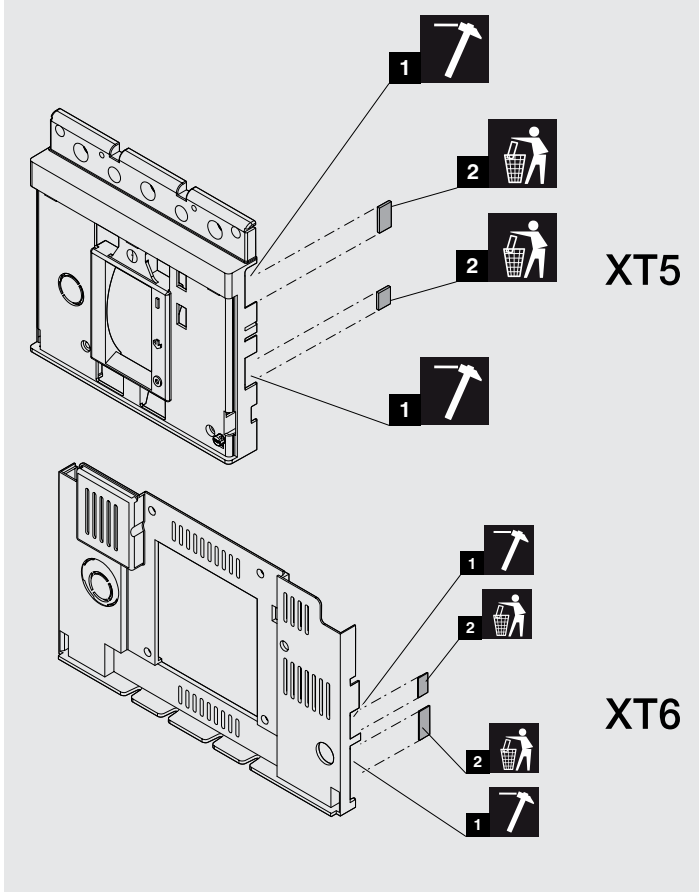
10

Example with S51 on XT5-XT6 (3p-4p)



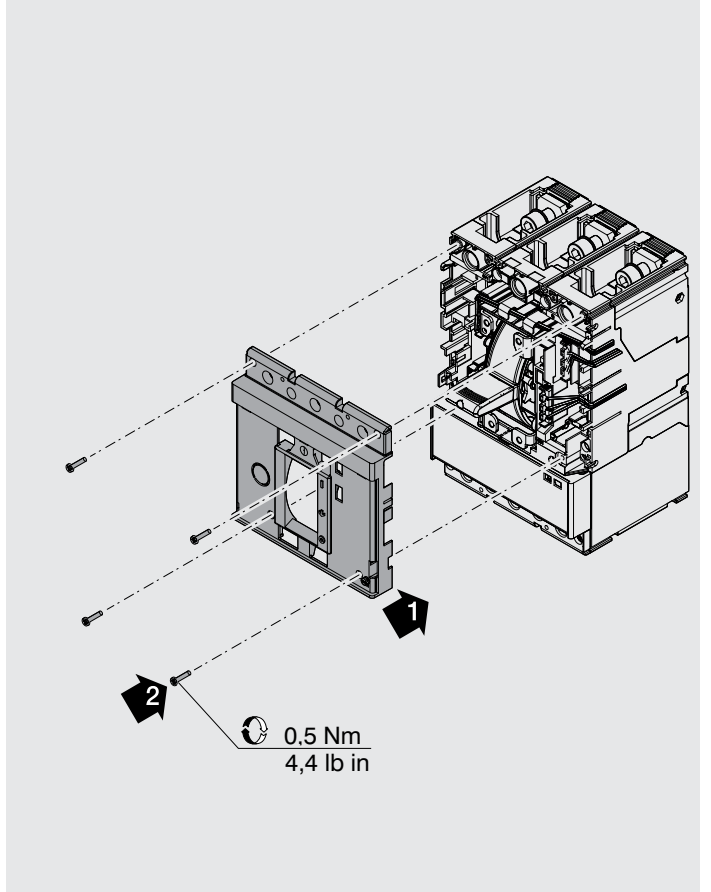
11

XT5 - XT6



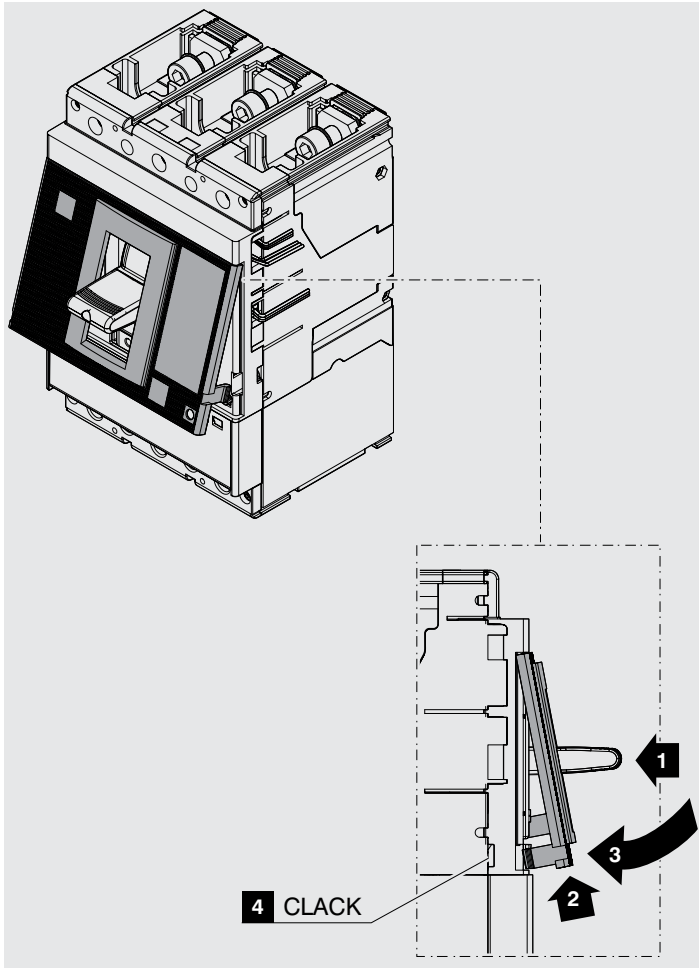
12

XT5



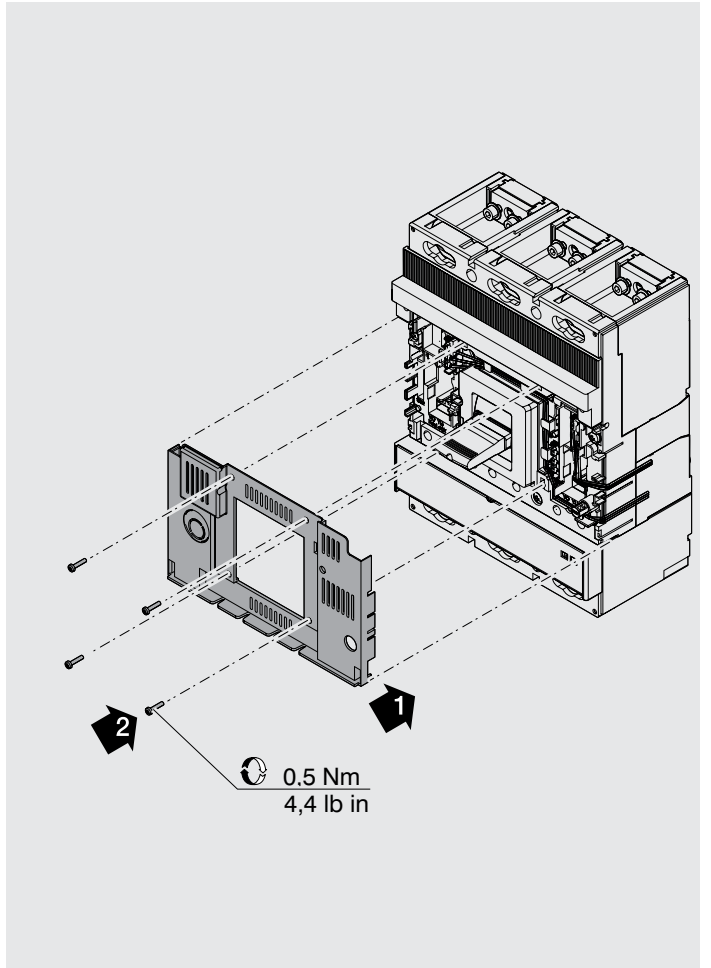
13

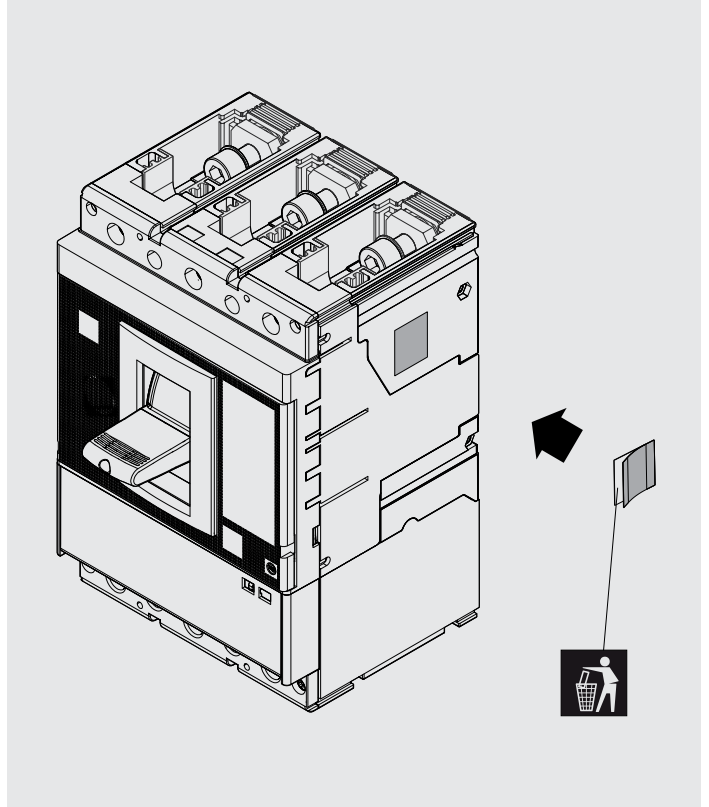
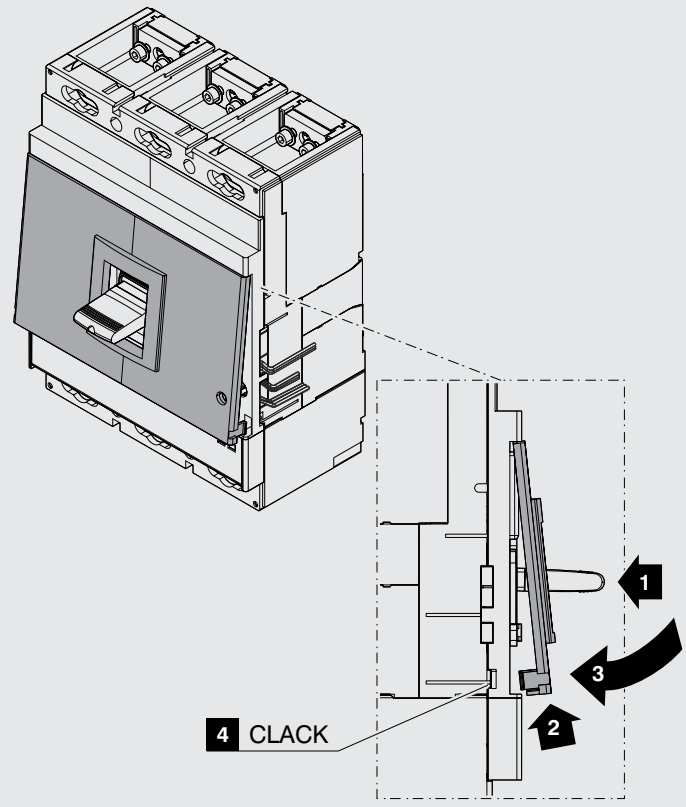
XT5



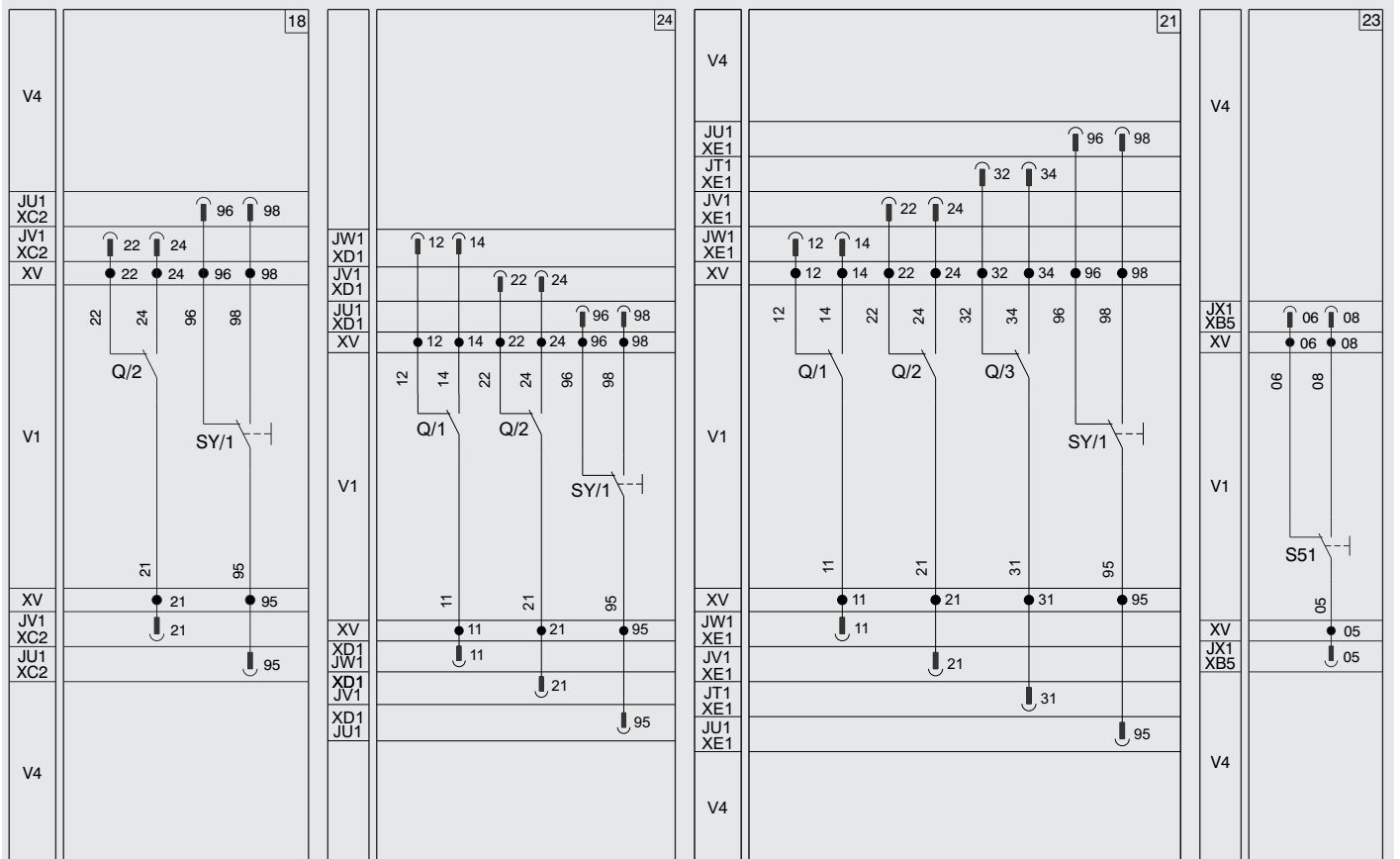
14

XT6





17



Per ulteriori informazioni vedere:
 For further details consult:
 Für weitere Informationen siehe:
 Pour plus d'informations voir:
 Para más información véase:
 有关更多信息请参考:

1SDM00005A1001

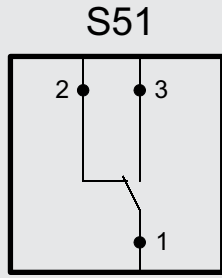
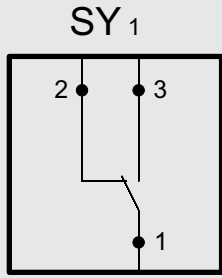
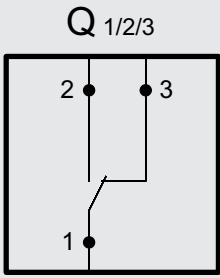


Fig. T		Fig. R/S		
1	→	11	21	31
2	→	14	24	34
3	→	12	22	32

Fig. T		Fig. R/S	
1	→	95	
2	→	96	
3	→	98	

Fig. T		Fig. R/S	
1	→	05	
2	→	06	
3	→	08	

Quando montato. Interruttore in posizione di aperto
 When mounted. circuit breaker in open position
 Wenn montiert. Leistungsschalter in die AUS-Stellung
 Quand il est monté. Disjoncteur en position de ouvert
 Cuando está montado. Interruptor en posición de abierto
 在安装好时. 开关处于分断位置

